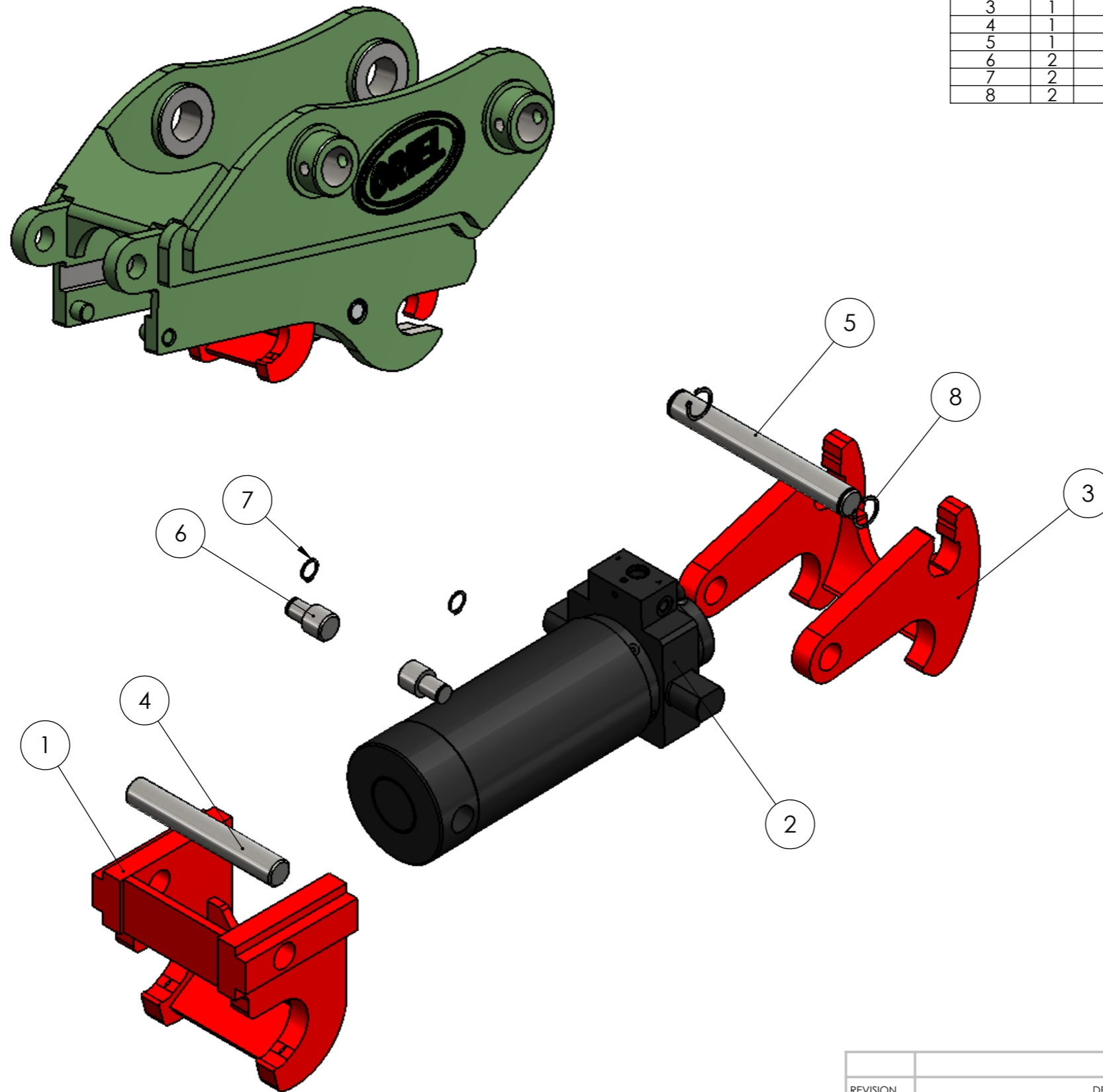


ITEM NO.	QTY.	PART NUMBER	DESCRIPTION	Material	WEIGHT
1	1	ASS001006A	QC65 BACK HOOK ASSEMBLY	-	11.97
2	1	RM001005	HYDRAULIC RAMS	-	40
3	1	ASS001004	QC65 FRONT HOOK ASSEMBLY	-	8.92
4	1	PN001002	30MM PIN 205 LONG	EN8	1.12
5	1	PN001003	30MM PIN 248MM LONG	EN8	1.36
6	2	RS001007	QC65 BACK ROUND STOPPERS	EN8	0.44
7	2	CC001001	CIR-CLIP FOR 20MM	-	
8	2	CC001002	CIR-CLIP FOR 30MM	-	



REVISION	DESCRIPTION	DATE	BY
		29/01/2014	
REVISIONS			
DRAWN	DAMIEN BOURKE	29/01/2014	TITLE: QC65 SPARE PARTS
CHK'D			
APPVD			
UNLESS OTHERWISE SPECIFIED: DIMENSIONS ARE IN MILLIMETERS SURFACE FINISH: TOLERANCES: LINEAR: ANGULAR:			
DO NOT SCALE DRAWING			DWG NO. QC65 SPARE PARTS
MATERIAL:			
WEIGHT: 220KG APPROX			REVISION A3
SCALE: 1:5			SHEET 1 OF 1

TOLERANCE NOTE:
 ±1mm ON SIZE UNLESS OTHERWISE STATED.
 MATERIAL THICKNESS -0 +0.25mm
 BUSH INTERNAL DIAMETERS +0.1 +0.25mm

ORIEL ATTACHMENTS,
 ARDEE ENTERPRISE CENTRE, ARDEE, CO LOUTH,
 IRELAND
 PHONE: +353 416856924 FAX: +353 416858391