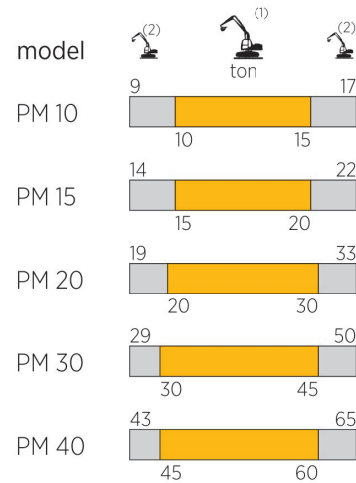
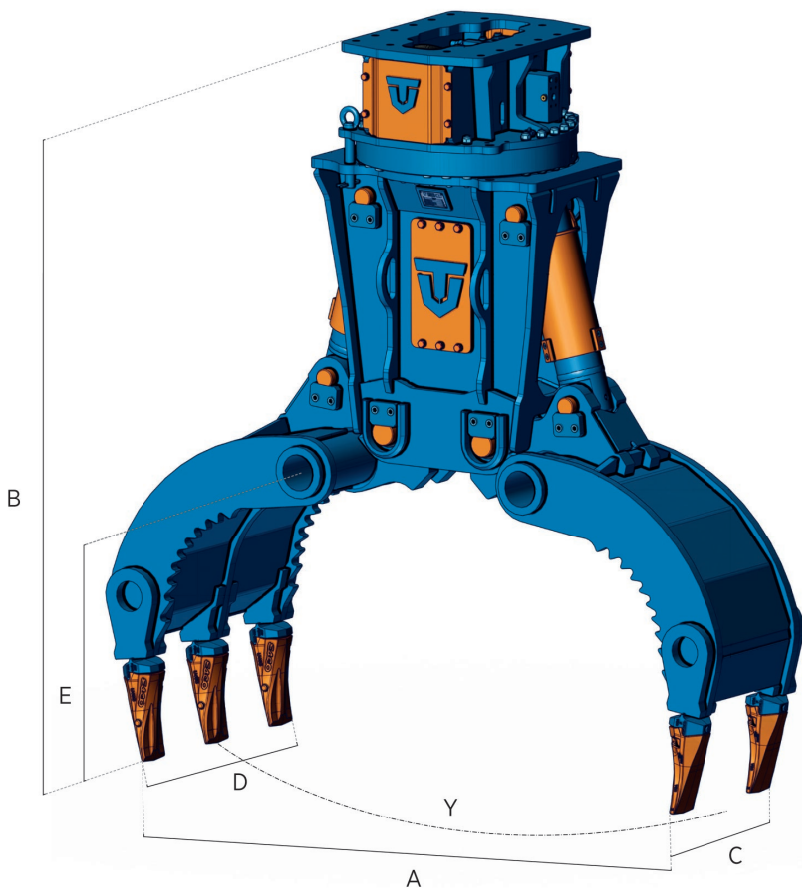




PM SERIES

HANDLING GRAB

- PINZA MOVIMENTATRICE
- PINCE DE MANUTENTION
- PINZA DE MANIPULACION
- STEINGREIFER



- (1) Optimum excavator-equipment combination
Accoppiamento escavatore-attrezzatura ottimale
Couplage pelle-équipement optimal
Acoplamiento excavadora-implemento optimal
Optimale Bagger-Ausrüstung Kombination
- (2) Possible excavator-equipment combination
Accoppiamento escavatore-attrezzatura possibile
Couplage pelle-équipement possible
Acoplamiento excavadora-implemento posible
Mögliche Bagger-Ausrüstung Kombination

NEW PRODUCT

		PM 10	PM 15	PM 20	PM 30	PM 40
	kg.	700	1360	2230	3710	4900
A	mm.	920	1570	1750	2180	2570
B	mm.	1870	2020	2200	2800	3070
C	mm.	360	400	530	630	790
D	mm.	550	710	810	980	1320
E	mm.	800	800	850	1100	1420
Y	t.	5	7	10	12,5	16
Cap. SAE	m ³	0,4	0,6	0,9	1	1
max	bar	350	350	350	350	350
	l/min.	100 / 120	100 / 200	180 / 250	200 / 300	250 / 350
max	bar	140	140	140	140	140
	l/min.	15 / 30*	20 / 40*	20 / 40*	25 / 50*	25 / 50*

*Double motor / *Doppio motore / *Double moteur / *Doble motor / *Doppelmotor



HARDOX
WEAR PLATE

HARDOX
IN MY BODY