

# TMK 400 INTRODUCTION

**NEW!**

## EFFICIENT ATTACHMENTS

*Easy to also retrofit*

## BRACKETS ARE ON BOLT-ON EXTRA PLATES

*Makes it possible to use the shear with multiple machines*

## CAPSULAR STRUCTURE

*Light & durable desing*

## 15MM BLADE

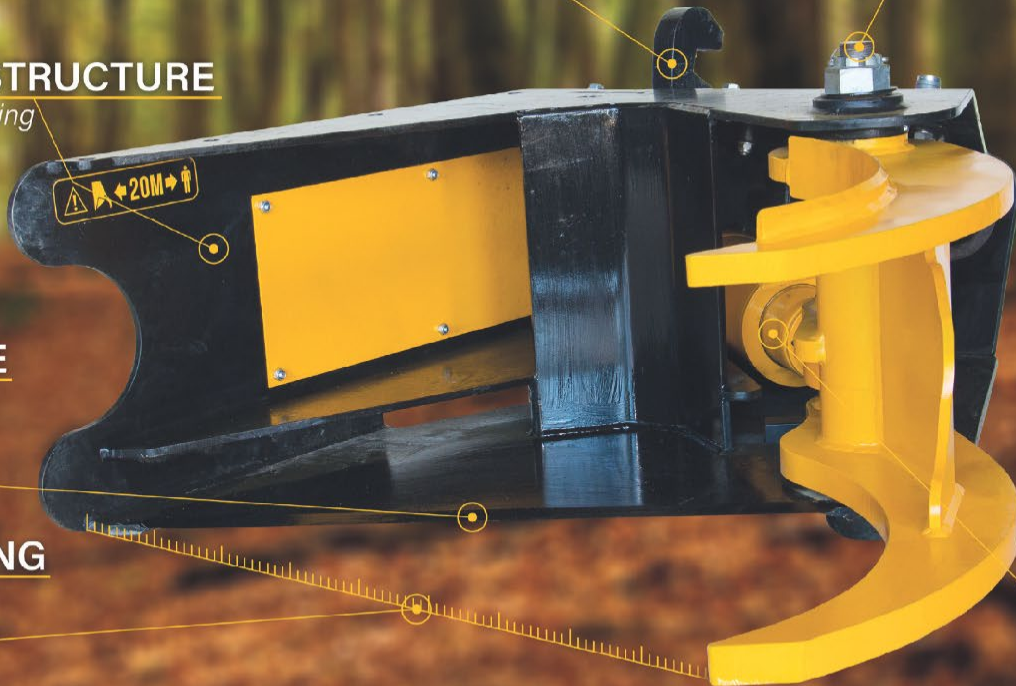
*Hardox 500*

## MAX. OPENING

*1070mm*

## TMK TURBO

*To maximize speed & strength*



400mm



535kg

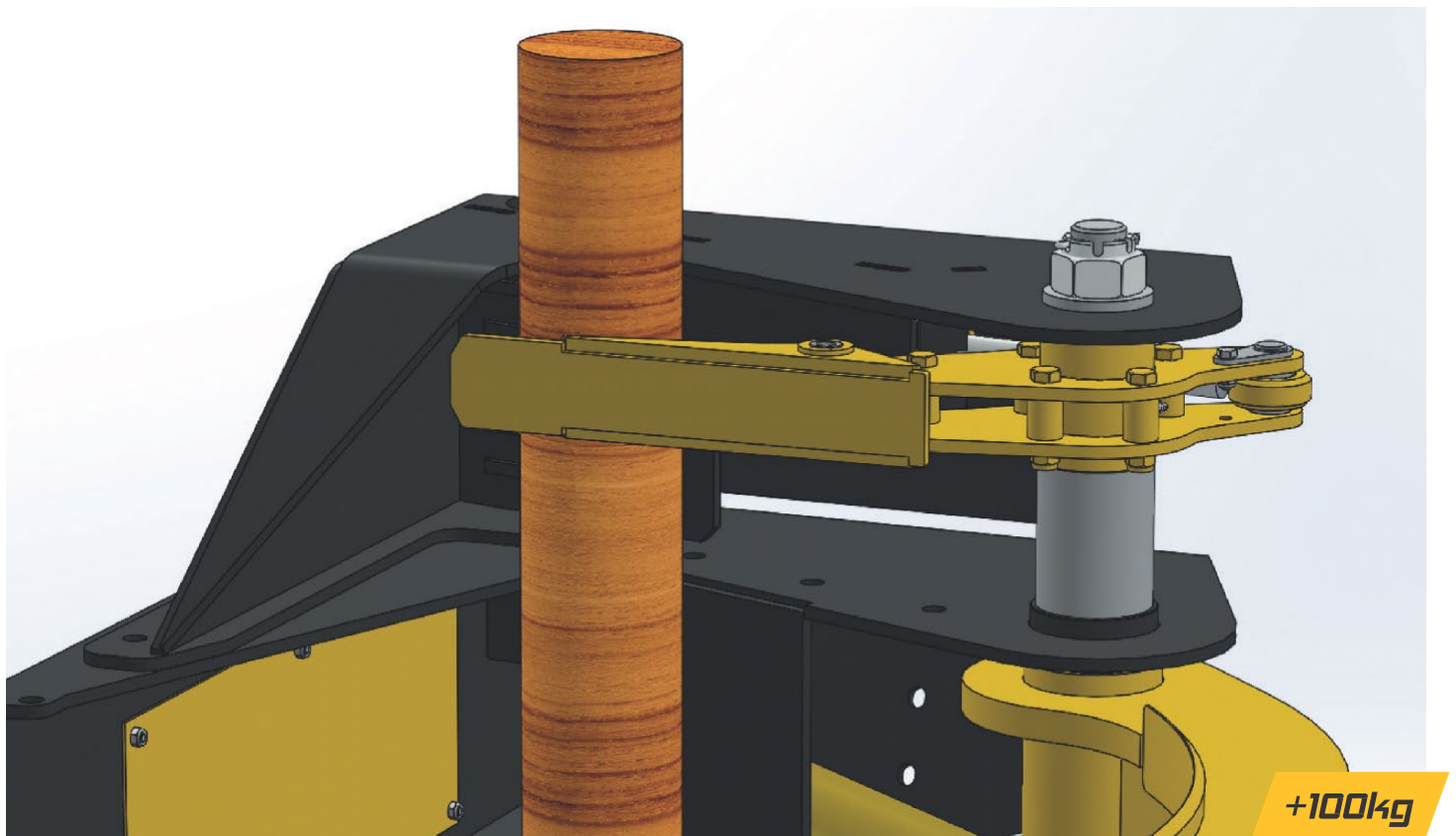


10-30 ton

## TMK 400

Grow power & efficiency.

TMK 400 "Big Boy" is the largest and strongest one in TMK's current product family. TMK 400 was developed to cut down Central Europe's big trees, and the power to this produces the custom designed cylinders. Thanks to these cylinders we can cut up to 400mm trees. Big Boy fits to excavators from 10 ton to 30 tons. Shear opens respectful 1070mm, and thanks to its light weight it provides a great tool to cut down the smaller brush as well as the big logs. The strong capsular structure in TMK 400 withstands the tensions of cutting down the big trees and still the weight is being able to kept under 550 kg! The recommended hydraulic pressure to TMK Big Boy is 200-300 Bars, depending on the chosen cylinder



## **COLLECTOR**

**Together in a bunch.**

TMK 400 can be equipped with a collector, which increases the productivity of the shear significantly. Collector works automatically with the shears open-close motion all the way to the point where the bunch is dropped. When the shear is closed, the collector opens up to the other side of the trees, and when the shear is opened again, the collector first grabs the trees firmly in its grip. This way the trees stay all the time firmly in hand. Only when the bunch is dropped one electric line is needed to let the bunch go from the grip. Collectors simple operation enables fast and comfortable working. Thanks to its high productivity, the collector is TMKs most popular attachment worldwide.

NEW! Collector is now available also without electricity! Ask more from your local dealer, or directly from TMK.

## TMK 400 ATTACHMENTS



### CYLINDER OPTIONS

TMK 400 can be equipped with different cylinder options.

1. Normal main cylinder, recommended pressure 280-300 Bars.
2. TMK Turbo is patented telescopic cylinder, where the smaller cylinder works always first, keeping the motion fast. When the smaller cylinder runs out of power, the bigger cylinder starts working automatically. This way we get really fast motion without sacrificing the strength at all. TMK Turbos' recommended pressure is 200-220 Bars. TMK Turbo is excellent choices when working with tilt rotators, when the reduced pressure doesn't affect the maximum cutting capability. TMK Turbo grows your work efficiency up to 15%!

TMK 400

		Normal main cylinder	TMK Turbo cylinder
Cylinder features	Max. pressure	300 Bar	220 Bar
	Recommended pressure	280-300 Bar	200-220 Bar
	Liters/min	100-180 l/min	80-180 l/min

